

GPCS UNI-FIX

A SOLUTION FOR ALL CASES.



www.gpcoolspeed.com

NOW
available
in many
SIZES!

**The innovative solution
for mounting problems.**

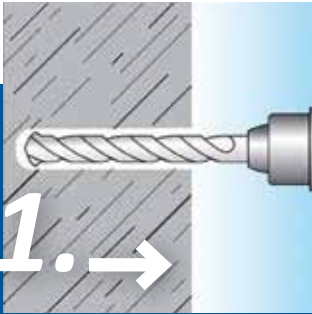
The GPCS Uni Fix mounting system was developed as a dowel technology that should simplify useability for every professional.



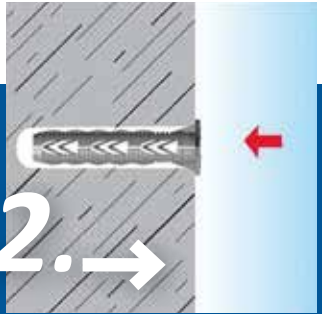
COOL SPEED

Unternehmenszweig der Baustoff + Metall Gruppe

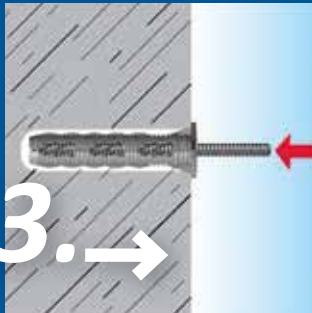
IT'S THAT SIMPLE:



*drill hole (\varnothing 12 mm for M8,
 \varnothing 14 mm for M10)*



set dowel



*insert anchor rod and
choose distance*



*tighten with a
90°-rotation*

set dowel, insert special anchor rod and use a 90°-rotation for full expansion of the dowel. Easy and fast fine adjustments still possible.

The GPCS Uni-Fix mounting system is applicable in areas where a fast, clean, strong and safe installation is required.

GPCS Uni-Fix works with concrete, brick, limestone while being easy to use.



& COOL SPEED

Unternehmenszweig der Baustoff + Metall Gruppe